

1

2

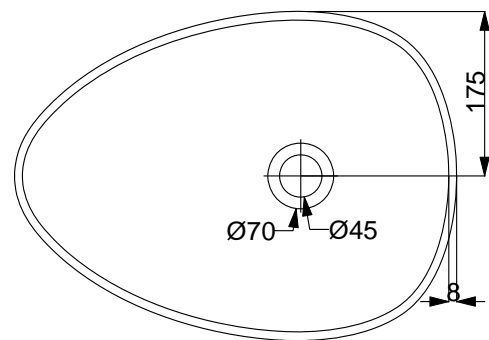
3

4

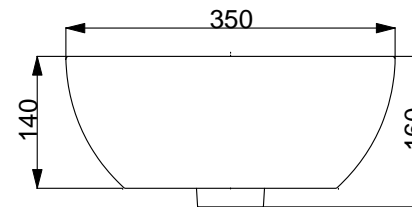
5

6

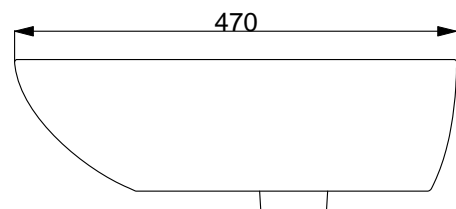
TOP\_VIEW



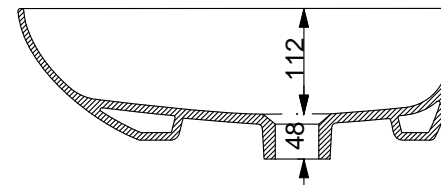
SIDE\_VIEW



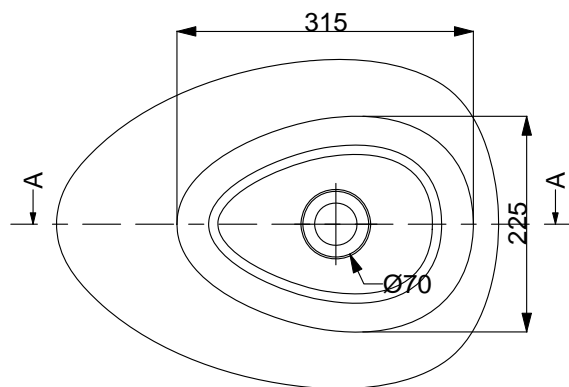
FRONT\_VIEW



SECTION\_VIEW A-A



BOTTOM\_VIEW



1

2

3

4

5

6

A

A

B

B

C

C

D

D