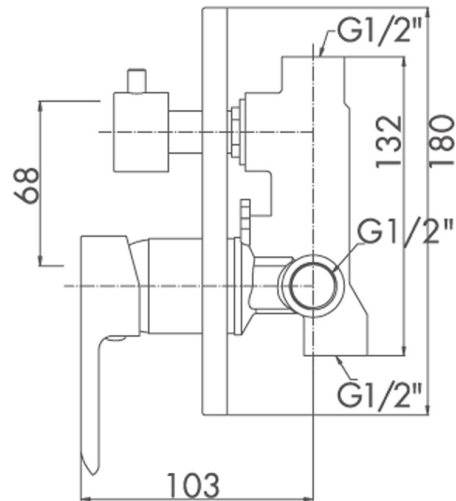
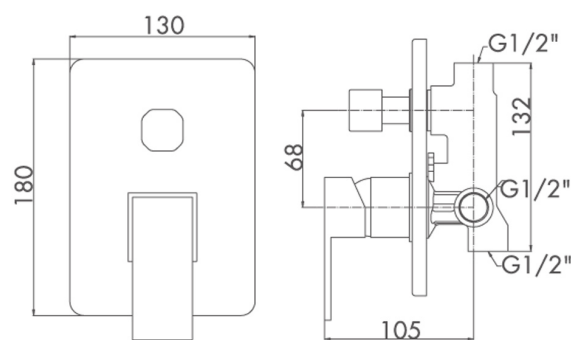


SCHEMA TECNICA TECHNICALL VIEW / VUE TECHNIQUE

Quote espresse in millimetri



21739



21740