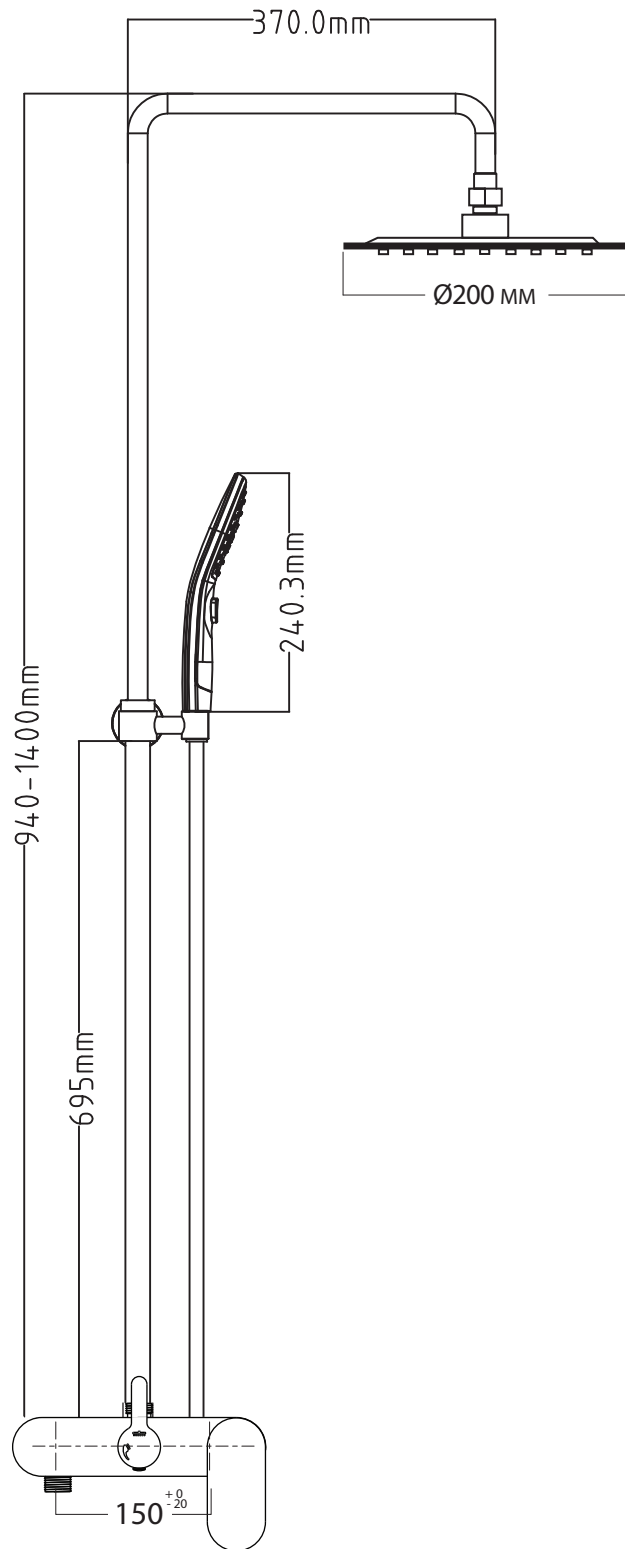


SCHEMA TECNICA TECHNICALL VIEW / VUE TECHNIQUE

Quote espresse in millimetri



cod. 16050