

LAVATOIO VINCENTE 60X50

Lavatoio a un'anta a ribalta
Wash-tub furniture, flap door



Finitura legno natural
con maniglia satinata

Dimensioni (cm)- Dimensions (cm)



Campo di applicazione

Installazione interna

Field of application

Internal installation

Caratteristiche

Mobile: Bilaminato

Maniglia: Finitura satinata

Vasca: Materiale plastico, forabile per installazione rubinetto

Sportello: Con angoli stondati e apertura a ribalta

Asse: Pino verniciato

Piedini: Regolabili 1,5 cm

Scarico: Sifone autopulente con attacco lavatrice, piletta, tappo, troppopieno e particolari inox

Features

Furniture: Bilaminated wood

Handle: Satin finish

Basin: Plastic material, it can be punched to install the faucet

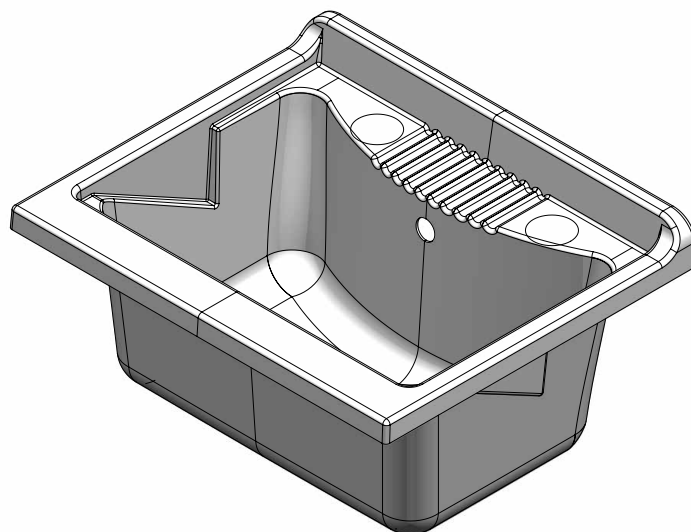
Door: With rounded angles and flap opening

Washing board: Varnished pine wood

Foot: Adjustment 1,5 cm

Drain: Self-cleaning siphon with washing-machine coupling, drain, plug and overflow with stainless steel details
Including **supports for fixing to the wall**

Vasca in resina speciale 60x50 cm
 Plastic basin 60x50 cm



Dimensioni (mm)- Dimensions (mm)

