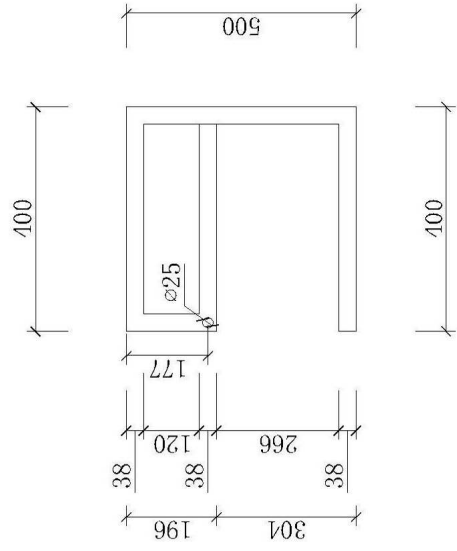
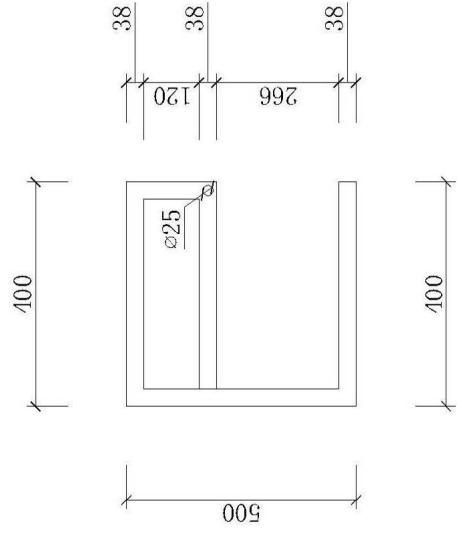


hole size



side view