

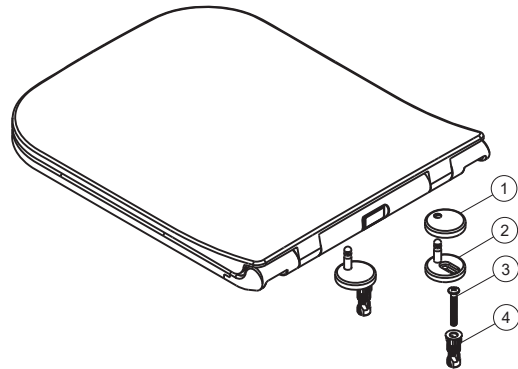
INSTALLATION INSTRUCTIONS

BEFORE YOU BEGIN

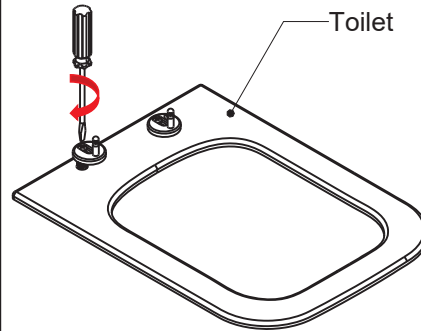
To insure that your installation proceeds smoothly, please read these instructions carefully before you begin. Carefully unpack these and examine all of the items you have selected.

WIKI Slim Slow-close Seat cover

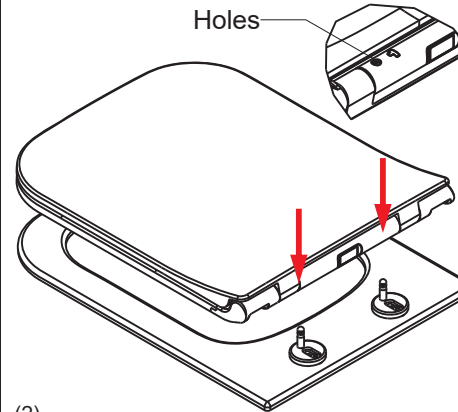
IPERCERAMICA
wellness



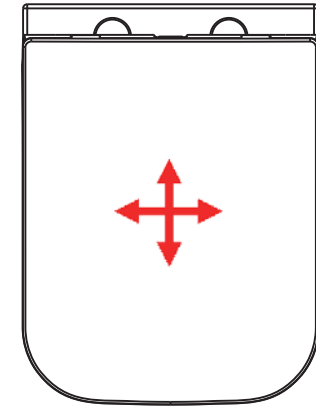
Content:
seat and cover,
Hinge pack fixings



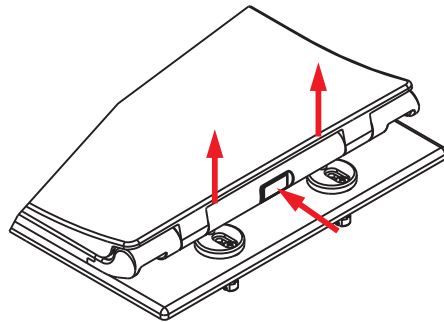
(1) Insert the hinge into the toilet, tighten the screws of the hinges, but do not fully tighten.



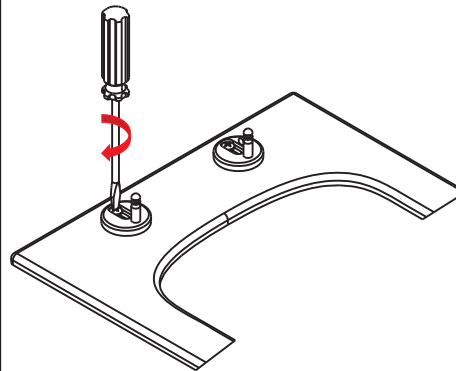
(2) Keeping seat and cover in the icon position, insert the holes of seat and cover into the hinge.



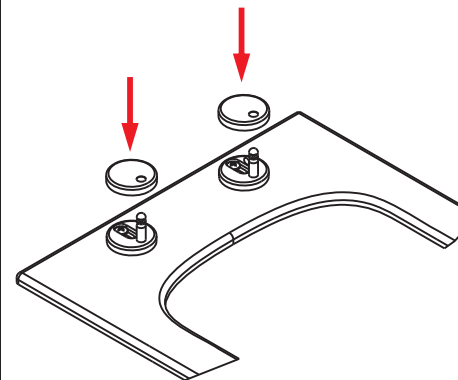
(3) Close seat and cover and adjust the position to best fit the toilet.



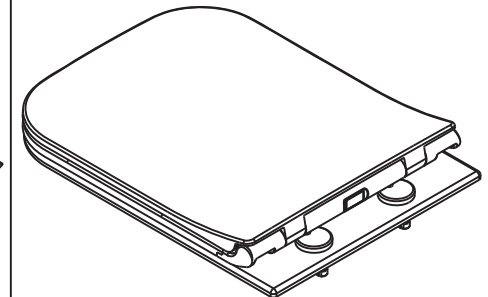
(4) The toilet cover is kept in a graphic orientation, and the button is pressed, and the toilet cover is pulled out from the hinge base.



(5) Fully tighten the screws.



(6) Place covering caps on the hinges.



(7) Keeping seat and cover in the icon position, insert the holes of seat and cover into the hinge.

****Important:** Do not over tighten the nuts as this could crack the toilet bowl.