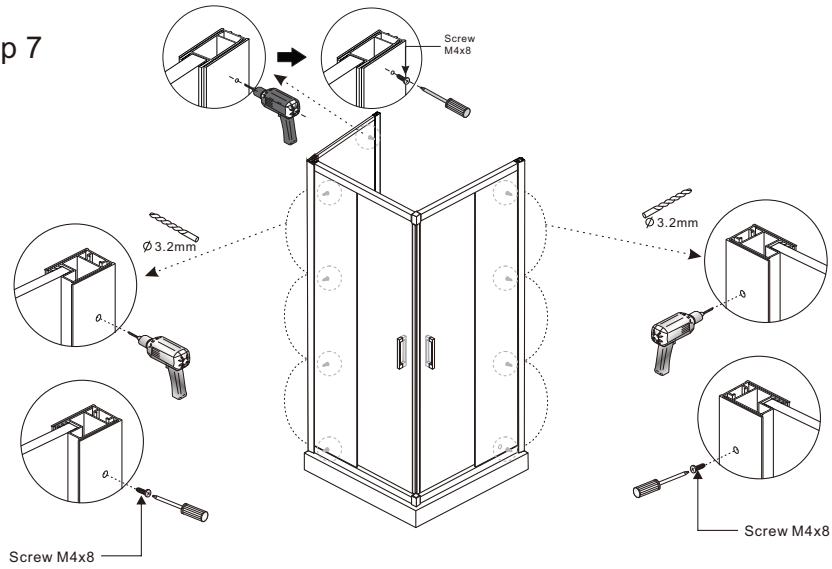
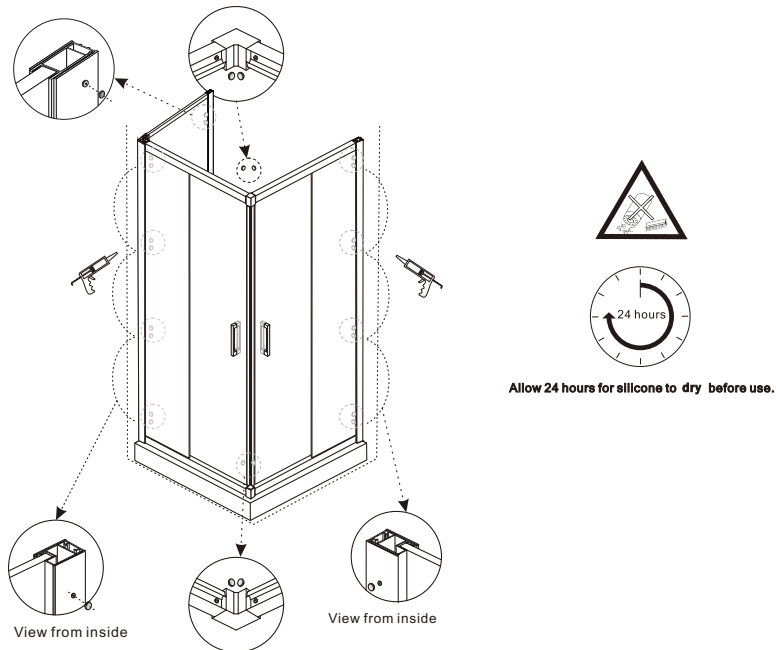


### Step 7

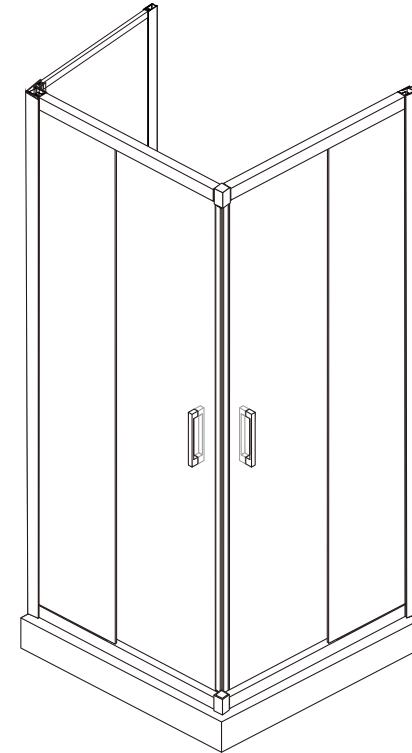


### Step 8



## INSTALLATION MANUAL

### NEPTUM Sliding Doors Shower Enclosure and one Side Panel



**IPERCERAMICA**  
wellness

BayKer Italia S.p.A. via Ghiarola Nuova, 85/87 – 41042 Fiorano Modenese (MO) – ITALY  
[www.iperceramica.it](http://www.iperceramica.it)

## ◆ General Information

Please inspect the product immediately upon receipt for transit damage, missing packs/parts or manufacturing fault. Damage reported later cannot be accepted. Please handle the product with care avoiding knocks and shock loading to all sides and edges of the glass.

### Notes: Safety glass can not be re-worked.

Please read these instructions carefully before start of installation.

Special care should be taken when drilling walls to avoid hidden pipes or electrical cables.

Note: This product is heavy and may require two people to install.

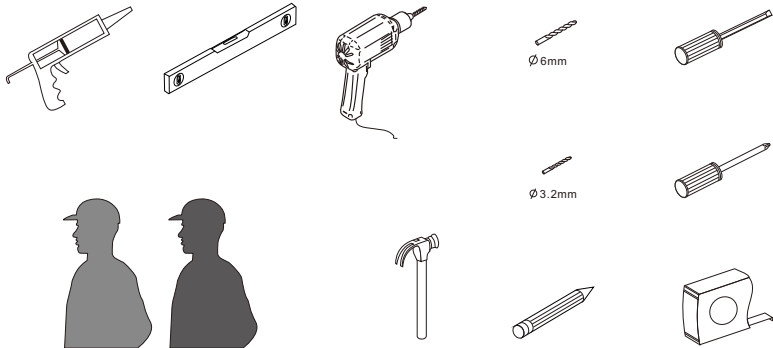
### Aftercare instructions

After use, your shower should be cleaned with soap and water. This is particularly important in hard water districts where insoluble lime salts may be deposited and allowed to build up. Cleaners of a gritty or abrasive nature should not be used. Care should be taken to avoid contact with strong chemicals such as organic solvents and strippers.

Glass cleaners can be used but with caution, if in doubt contact the manufacturer of the cleaner in question.

Please keep these instructions for aftercare and customer service details.

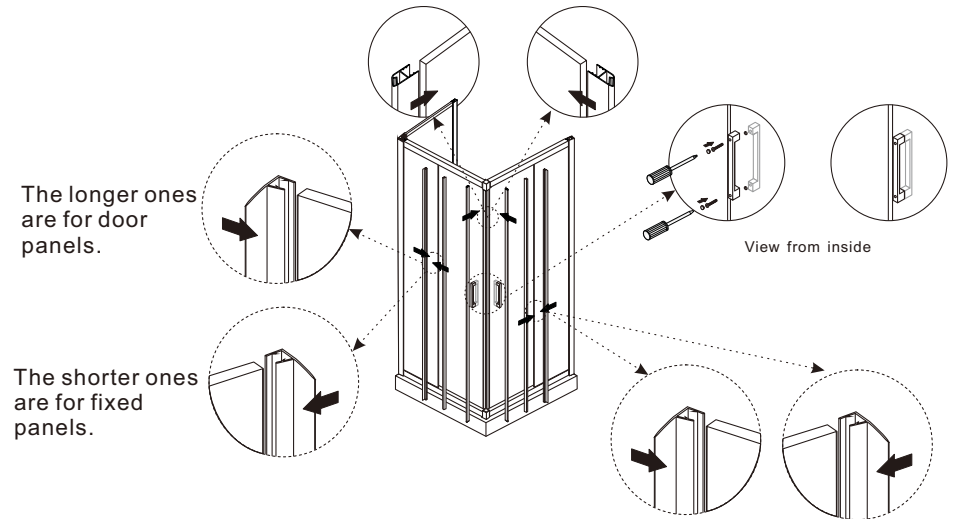
### Tools Required



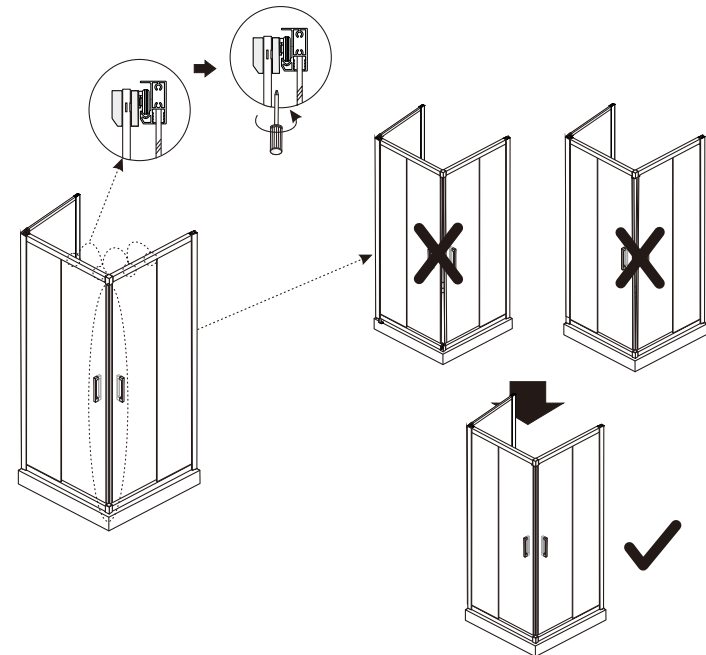
This product is heavy and may require two people to install.



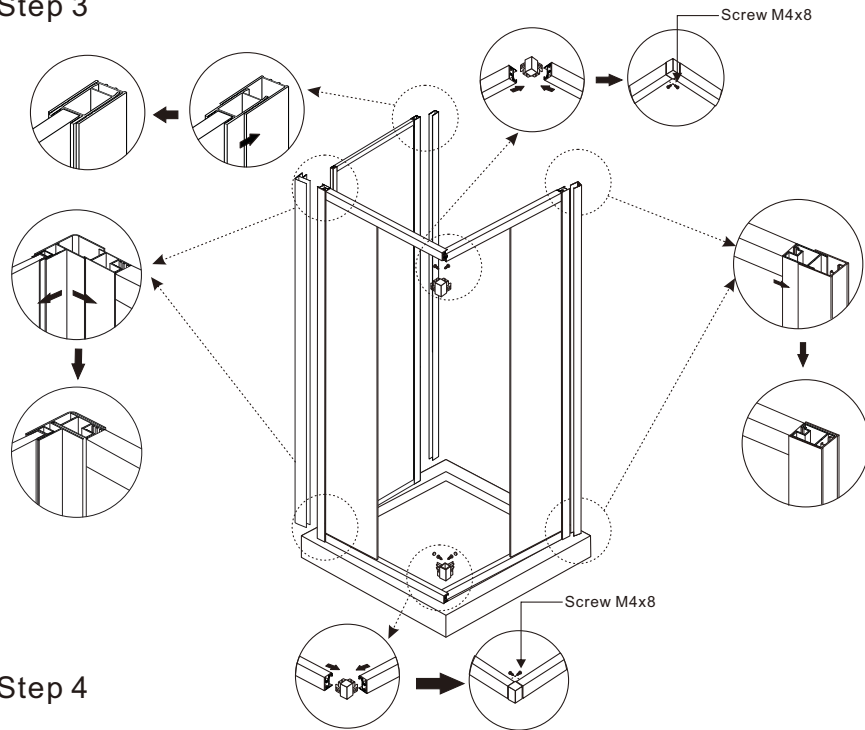
## Step 5



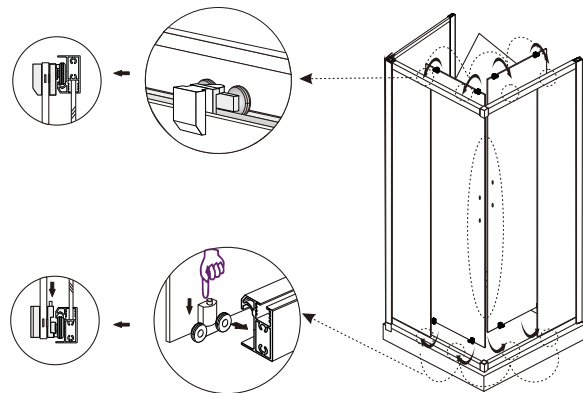
## Step 6




### Step 3








### Step 4








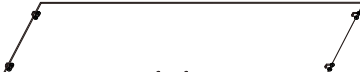


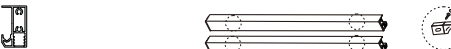



 The bottom rollers are with springs.

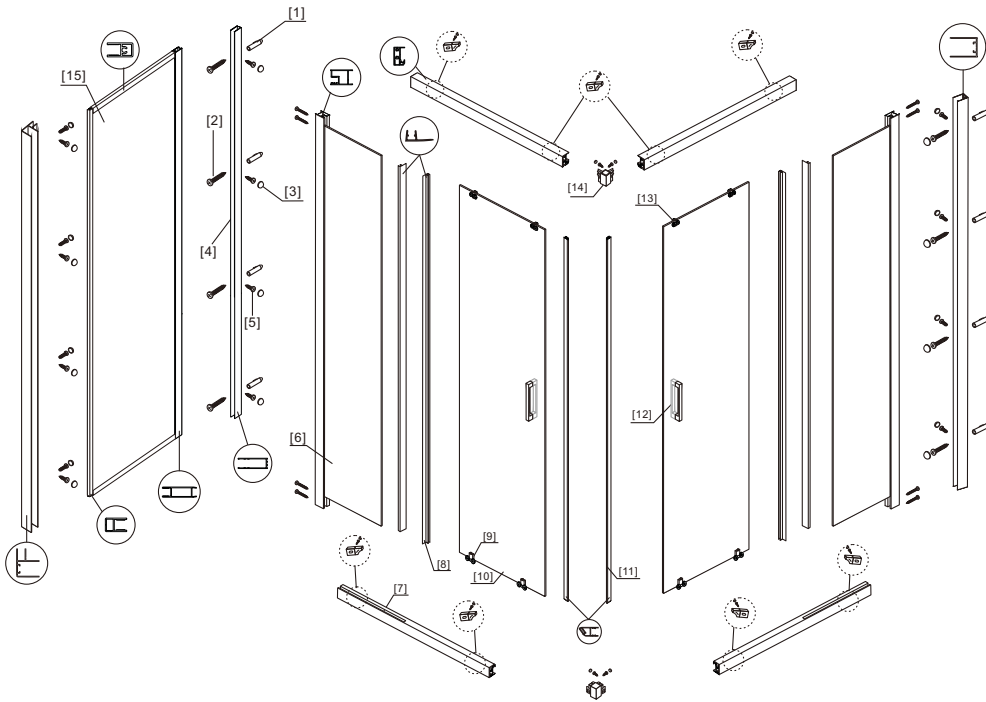
### ◆ Side Panel Box Contents

[1] 1xInstallation Instruction.	➔	
[2] 1xWall profile B.	➔	
[3] 1xCorner post.	➔	
[4] 8xScrews M4x8. 8xScrew Cover Caps.	➔	
[5] 1xSide Panel.	➔	

### ◆ Box Contents x2:

1xInstallation Instruction.	➔	
[1] 4xWall Plugs. 8xScrews M4x35.		
[2] 6xScrew Caps.	➔	
[3] 1xWall Profiles.	➔	
[4] 6xScrews M4x8.	➔	
[5] 1xFixed Panel.	➔	
[6] 1xLonger Deflectors 1xShorter Deflectors	➔	
[7] 2xBottom Rollers. 1xDoor Panels. 2xTop Rollers.	➔	
[8] 1xMagnet Seals.	➔	
[9] 1xHandle Sets.	➔	
[10] 2x Rails. 4xScrews M4x12. 4xScrew Caps.	➔	
[11] 1xCorner Connector.	➔	

## ◆ Assembly Drawing

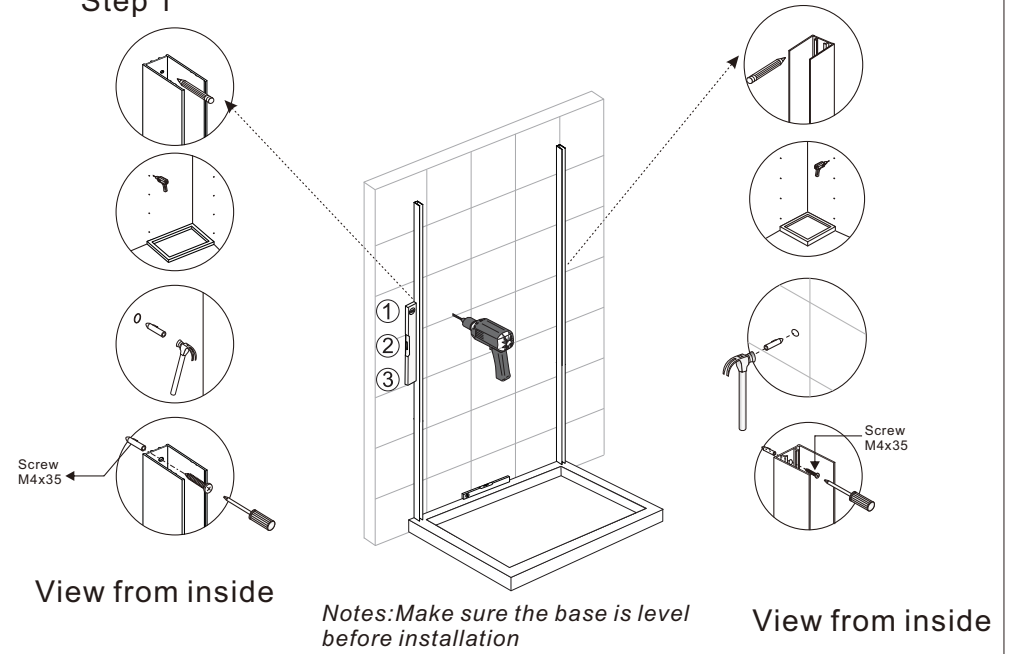


- [1] 8xWall Plugs
- [2] 16xScrews M4x35
- [3] 20xScrew Caps
- [4] 2xWall Profiles
- [5] 12xScrews M4x8
- [6] 2xFixed Panels
- [7] 4xRails
- [8] 4xDeflectors

- [9] 4xBottom Rollers
- [10] 2xDoor Panels
- [11] 2x Magnet Seals
- [12] 2xHandle Sets
- [13] 4xTop Rollers
- [14] 2xCorner Connectors
- [15] 1xSide Panel

## ◆ Installation Steps

### Step 1



### Step 2

